
Owner's Manual



Durango Window Cooler

Model WEAC628

Please keep this important manual in a safe place. It is the owner's responsibility to ensure that regular maintenance is carried out on this evaporative cooling product. Failure to do so will void all guarantees beyond statutory and legal requirements.

Table of Contents

Introduction..... 3

Operation Instructions 4

 GENERAL4

Introduction..... 4

Unit Operation 4

Bleed Off 5

 COOLER OPERATION.....6

Before Starting 6

Operating the unit..... 6

Installation..... 7

 INSTALLATION REQUIREMENTS7

 INSTALLATION7

External Fixing Of the Unit 7

Internal Fixing of the Unit 9

Water Connection..... 10

Commissioning..... 10

Maintenance11

 GENERAL12

Filter Pads 12

Water Tank..... 12

Water Distributor 12

Water Level / Float Valve 12

Motor and Fan 12

Bleed Off 13

 ELECTRICAL13

 MAINTENANCE PLANNER14

Parts List15

Problem Solving16

Optional Extras17

Warranty18

Important Notes:

- **TEXT AND ILLUSTRATION COPYRIGHT CLIMATE TECHNOLOGIES 2007**
- All rights reserved. No part of this document may be reproduced or transmitted in any form or by any means, electronic or mechanical, including photocopying, recording or by any information storage and retrieval system, without prior permission in writing from Climate Technologies.
- **Climate Technologies is constantly researching and developing improved product features and therefore reserves the right to change the specifications without notice. E. & O.E.**

Introduction

GENERAL INFORMATION.

Thank you for purchasing a quality Bonaire Evaporative Cooler. We care about your safety and would ask you to spend a few minutes reading these simple instructions before installing or operating this product.

Safety!



Read carefully all of these instructions prior to installing and operating the unit.

- **Read and Save these Instructions. Do not throw these Instructions away.**
- Installation of this cooler in any manner not prescribed by these instructions could cause a safety issue and WILL void any warranty.
- Use only with a 240V 50Hz single phase grounded outlet.
- Unplug the cooler and position the rotary control knob to the **0** position when installing, servicing or cleaning.
- Do not operate cooler with Rear filter panel removed.
- Do not operate cooler with a damaged cord, plug or other component.
- Do not run the power cord under carpet or other floor covering.
- Do not use the power cord with an adaptor plug that converts the 3 pin plug into a 2 prong connector.
- Do not use the cooler with an improperly grounded outlet...
- Do not alter or modify this cooler.
- Do not allow children to install, operate or service this cooler.
- **WARNING:** To reduce the risk of fire or electric shock, do not use this product with any solid state speed control device.
- Use only qualified electricians for replacement or servicing of switches, or electrical motors and components in this cooler.
- This Window Mounted Cooler is suitable for installation in windows (either sash hung or sliding) with a minimum opening width of 650mm (26") and height of 550mm (22"). Please ensure that the directions for correct mounting are adhered to for the SAFE operation of this Cooler.
- Ensure there is a minimum 100mm (4") clearance above the external cabinet for maintenance purposes.

Operation Instructions

GENERAL

Introduction

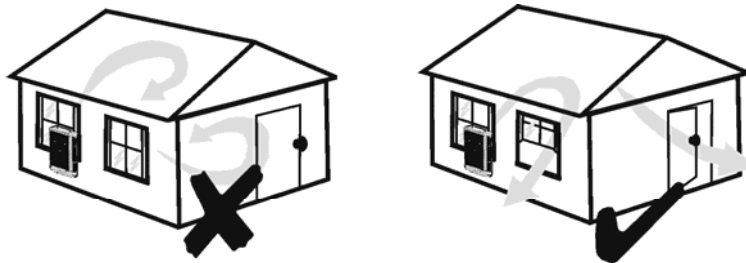
Your evaporative cooler is engineered to meet the rigors of harsh environments. Used and maintained in accordance with this manual, it will provide you with years of quiet, cool and environmentally friendly operation. Please take the time to read this manual.

The principal of your unit is to introduce fresh air, which is washed through the filter pads to provided cool fresh air. The warm stale air within the room is forced out by the cool air through open doors or windows.

Unit Operation

It is essential for successful operation of the evaporative cooler that there be sufficient free air openings in the room to be cooled – approximately 0.5m². Open doors and windows will usually provide this as per the diagrams below.

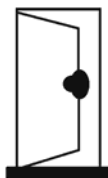
Please Note:- It is important for good ventilation that doors or windows are not open on the windward side of the house.



Vent Area for Doors and Windows (Nominal)



0.5m²



1.5m²



0.75m²



0.5m²

Operation Instructions

Bleed Off



The bleed off rate is factory preset and is not adjustable without direction of the manufacturer. It is critical to the life of the product that the bleed off function is not restricted in way as this may void unit warranty and will cause damage to your filters and cooler.

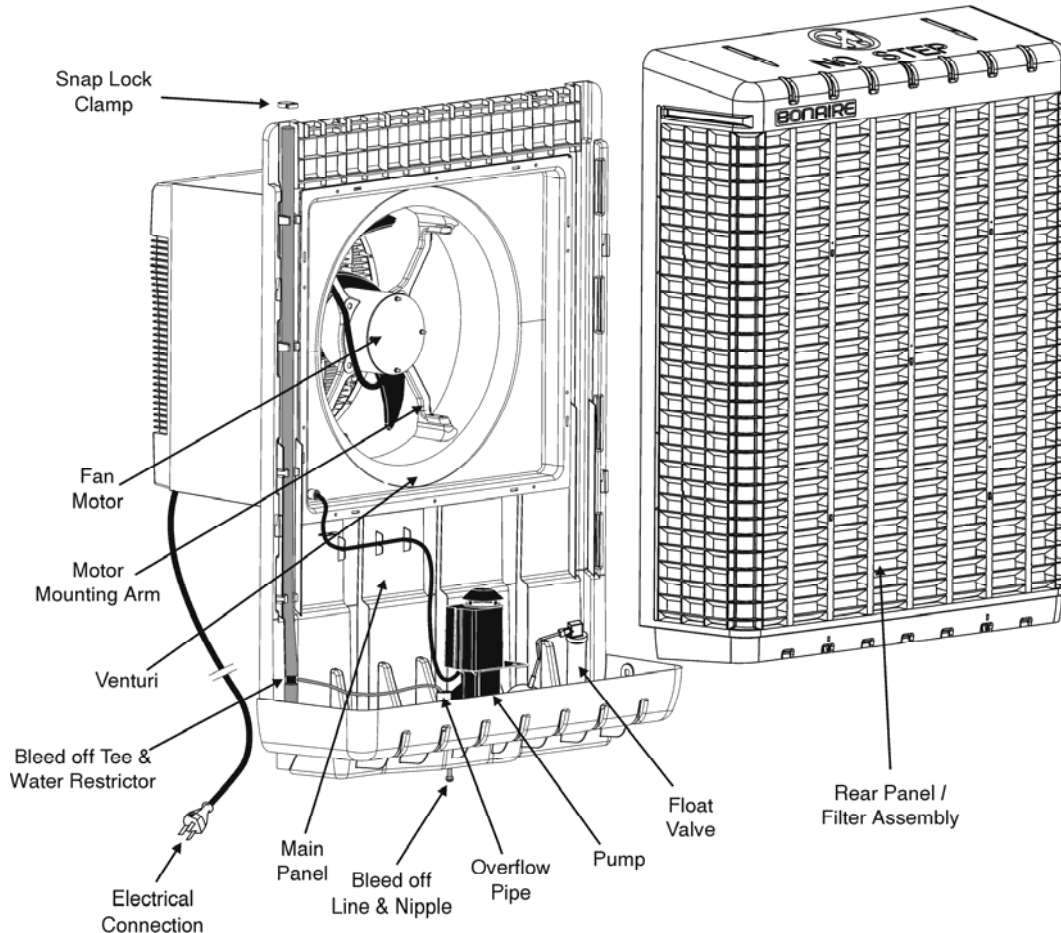
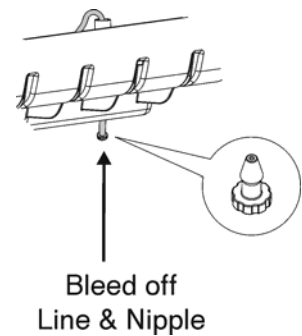
The function of the bleed off must be inspected by the owner on a regular basis to ensure the bleed off continuously flows when the unit is operating in "COOL" mode.

All evaporative coolers require water bleed-off to prevent build-up of mineral deposits as the result of the evaporative cooling process. This will maximize the life of the premium CELdek® filter pads and minimize mineral deposits inside the cooler. The bleed-off function only operates in COOL mode (when the water pump operates).

Should water supply contain high levels of total dissolved solids (greater than 300 p.p.m.), increase the bleed rate. See page 14.

This bleed water can be used in gardens or diverted to drains using standard garden hose and fittings from your local hardware store.

Please Note: - Any additional pipe work fitted to the bleed off by the owner must slope away from the unit in a down hill manner.



Operation Instructions

COOLER OPERATION

Before Starting

- Always ensure that there is another open window or door through which the air can exhaust to other parts of the house. Refer page 5 correct operation and ventilation.
- Ensure that the filters are kept clean.
- Ensure that the water to the cooler is turned on.
- Ensure the plug is connected to a 240V 50Hz single phase grounded appliance socket on the inside of the house and turned on.
- **IMPORTANT. After the first 10 hours of operation in COOL mode, the water must be drained from the unit water tank to remove any new product residuals. This process must be repeated after a further 10 hours of COOL mode operation. (See page 13 for removing the over flow pipe.)**

Operating the unit

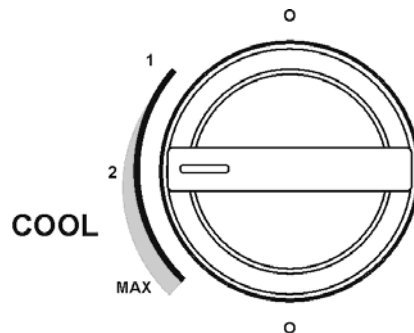
The Durango window cooler can be operated in either of 2 modes, COOL or FAN.

- COOL Mode.

Move control knob to “COOL” side. Select desired fan speed

- 1 - Sleep Mode**
- 2 - Normal Operation**
- Max - Quick Cool down**

The unit will now operate with the fan motor and water pump activated.

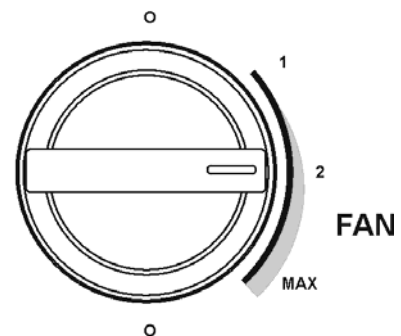


- FAN Mode

Move the control knob to the “FAN” side (pump isolated). Select desired fan speed

- 1 - Sleep Mode**
- 2 - Normal Operation**
- Max - Quick Cool down**

The unit will now operate with the fan motor only activated.



- To turn the unit off, rotate the control knob to the 0 position

Installation

INSTALLATION REQUIREMENTS

Tools

- Drill (Power or Cordless)
- Adjustable Wrench.
- Phillips Head Screw Driver
- Drill bits for drilling pilot holes into window frame. 1/8" (3.2mm) drill or appropriate for size of screw used.
- 3/4" Philips Head Screws for affixing Window Infill Panel

Materials Required (Not supplied)

- Silicone for sealing Window Infill Panel
- Copper or plastic high pressure water pipe for mains water supply.
- 840mm (33") of suitable spacer material (if required)

INSTALLATION

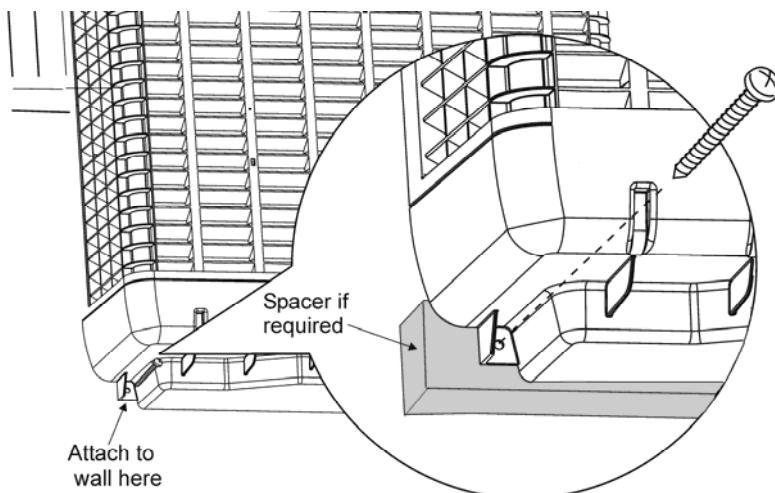


Note that it is not necessary to remove the Rear filter panel from the unit for installation.

Do not connect the power to the cooler until the installation is complete.

External Fixing Of the Unit

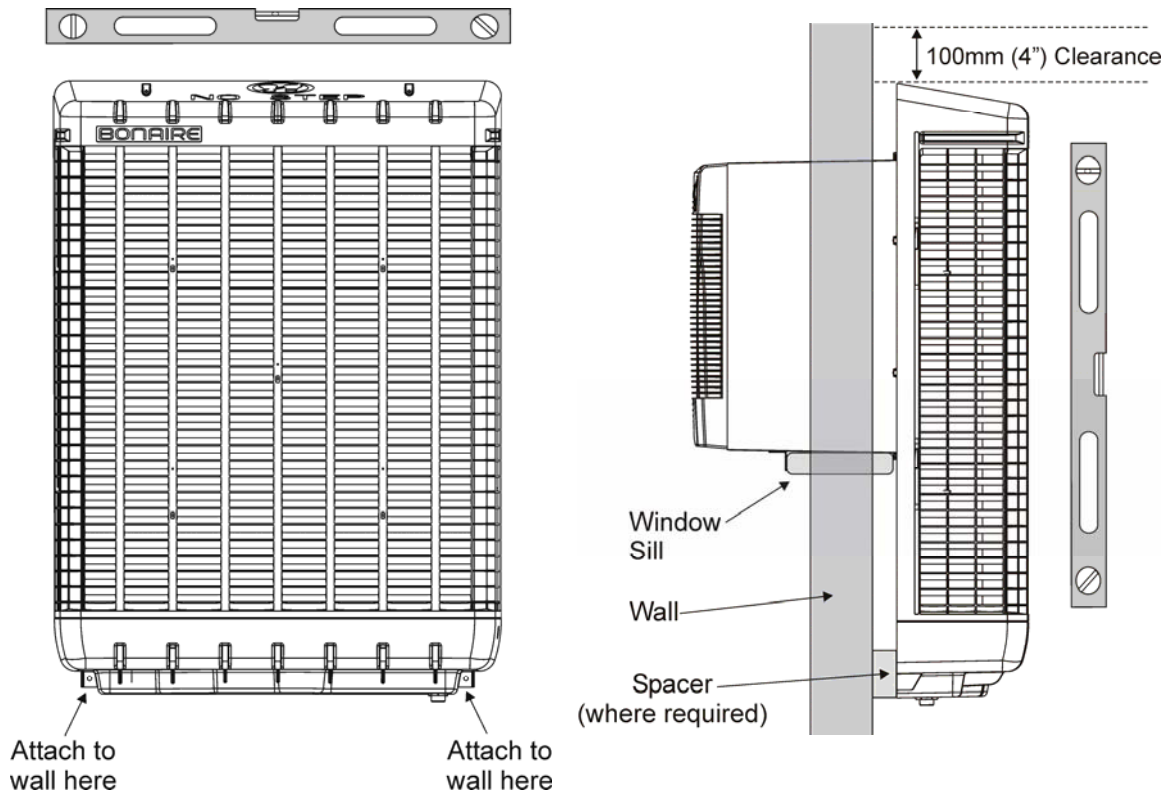
- Ensure that the location chosen to mount the cooler is strong enough to support the operating weight of the unit. The unit's nominal operating weight is 42 kg.
- Ensure that the window opening is large enough for the neck of the cooler (nominally 550mm high by 650mm wide).
- Ensure there is a minimum 100mm (4") clearance above the external cabinet for maintenance purposes.
- Position the cooler through the window (two or more people will be required for this) so that the unit is hard up against the outside wall of the house.



Note that if the cooler does not fit hard up against the outside wall (e.g. a protruding timber or brick window sill), utilise a spacer block of wood (not provided) which must be attached to the wall (the unit is then fixed to this wood).

Installation

- Ensure there is a 100mm (4") clearance above the unit so the rear panel can be removed for service
- Ensure that the unit is installed level in the vertical and horizontal positions as illustrated, prior to fixing the cooler.



- Use the two 'Wallmate' screws provided to fix the cooler to the outside of the house if a 'stucco-type' wall is being used. (Note that if the unit is not hard up against the wall, these fixing screws will go into the spacer block already installed).
- For solid walls, brick or masonry, use suitable masonry lag anchors.
- Place the unit in position, mark screw positions, remove unit then drill pilot holes for timber walls (1/8" or 3.2mm).
- Replace unit in window, fit screws.

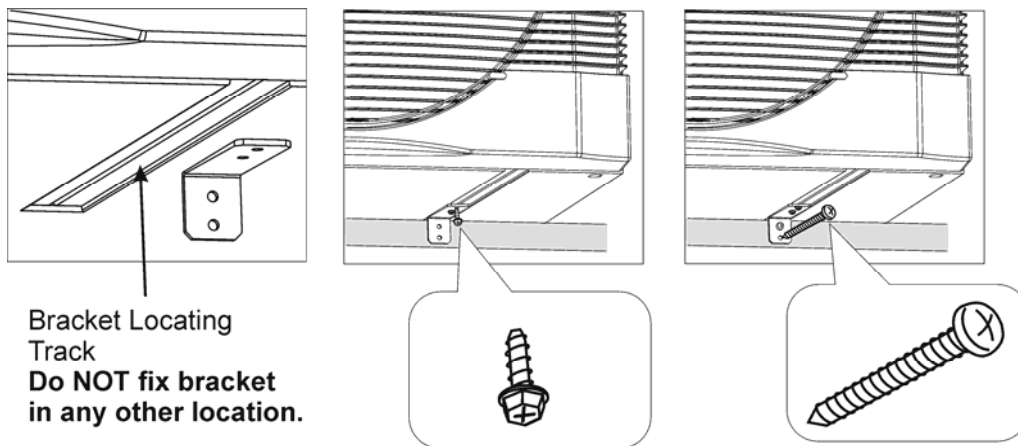
Installation

Internal Fixing of the Unit

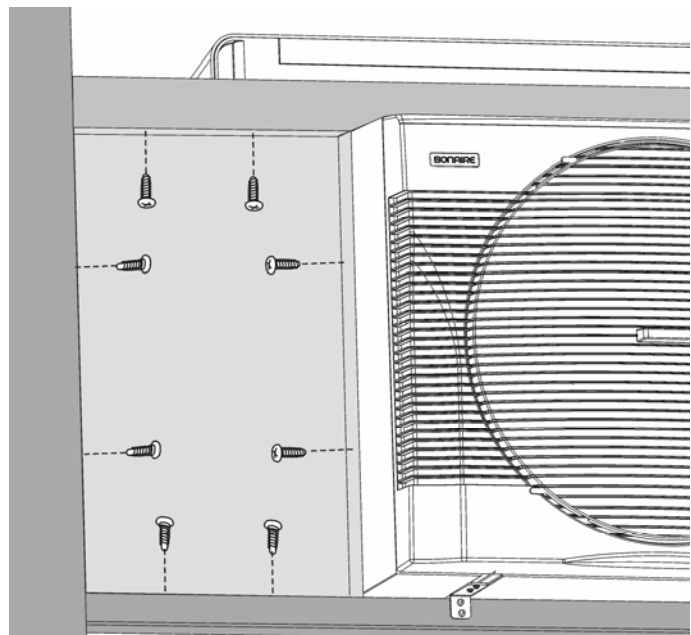
- **IT IS MANDATORY THAT THE METAL FIXING BRACKETS SUPPLIED ARE FITTED TO ENSURE A SECURE INSTALLATION.**

Utilise the 2 fixing brackets and 4 screws provided as shown in the diagram to ensure the unit is adequately locked into position.

- Ensure that the bracket is aligned within the indicated mounting track area on the underside of the fan housing – see diagram below. Drill 2x1/8" (3.2mm) holes and insert screws into unit as per diagram and repeat for window frame with appropriate screws.
- Ensure that the cooler is now fixed rigidly to the house structure



- Close window against unit. Measure the gap of the opening & cut the in-fill panel to fit in the gap left.
- Fit in fill panel with screws (length of screws must not exceed 25mm (1") in length) and seal any gaps with silicone.
- Check that the unit is still level using spirit level on top edge of Rear filter panel.



Installation

Water Connection

Fit mains water supply line to the float valve installed. The float valve connection is ½" BSP.

Note: Water connection line to float valve must be flushed before connecting.

The overflow is factory fitted. The bleed hose protruding through the overflow fitting SHOULD bleed water during normal operation at a rate between 6 – 12 Litres per hour. This is normal and is designed to preserve the quality of the Cooler and Cooling efficiency of the Unit. If required this Bleed water can be plumbed away using standard 'over-the-counter' garden hose and fittings.

The float valve is factory set and should require no further adjustment at time of installation (see page 13 if adjustment is required).

Your cooler is now ready for commissioning.

Commissioning

- Check that another door or window in the room is open to allow air to exhaust to other parts of the house.
- Turn the water supply to the cooler on.
- Plug the cooler into a 240V 50Hz single phase grounded appliance socket on the inside of the house and switch the socket on.
- Turn the unit on to FAN mode and check the operation of the three speed fan.
- Rotate the control knob to COOL mode and operate the three speed fan and pump.
- Leaving the unit in the COOL mode, check that a constant small stream of bleed off water is coming from the overflow tube. This bleed off is designed to reduce mineral build up on the CELdek[®] filter pads.
- You may notice a wet paper smell as the water circulates around the filter pads. This is normal during the commissioning phase and at the beginning of each season when the unit is operated after the winter break. It will only last for a short time.

Maintenance



ALL MAINTENANCE CAN ONLY BE PERFORMED BY A QUALIFIED SERVICE PERSON.

Before commencing any maintenance work on your unit, ensure it is disconnected from the power supply.

Note: It is essential that your evaporative cooler is maintained in accordance with this manual. Failure to do so will affect the life of the product and reduce the level of efficiency.

THIS MANUAL CONTAINS A 5 YEAR MAINTENANCE PLANNER TO USE IN CONJUNCTION WITH THESE INSTRUCTIONS. See page 14.

STEP 1

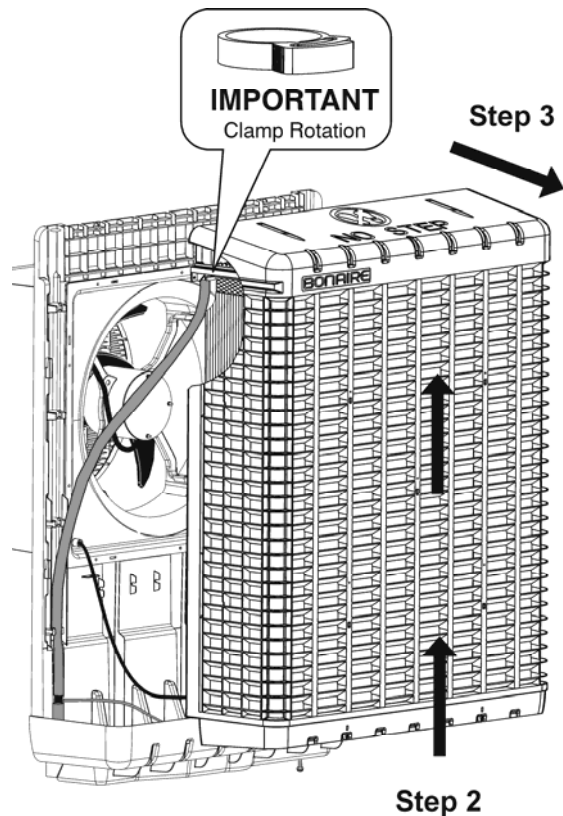
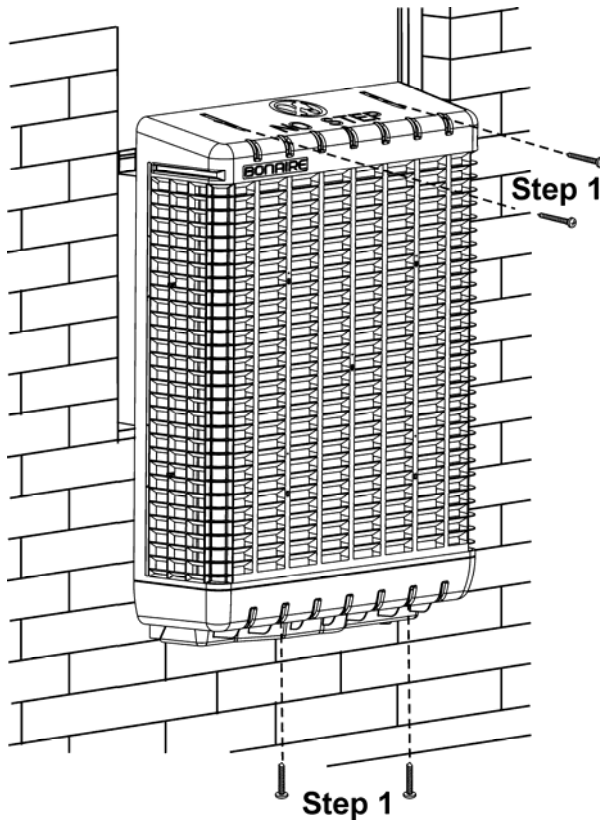
Remove Rear filter panel fixing screws (4 off).

STEP 2

Lift the Rear filter panel in a vertical fashion 3" or 75mm.

STEP 3

Pull rear filter panel away from unit.



Step 4 (Optional)

The pump hose will be attached to rear filter panel. Should the hose come off during removal of rear filter panel or be removed for servicing the filters, care should be taken to re-attach the hose and snap lock clamp before replacing rear filter panel.

IMPORTANT: The rotation of the snap lock clamp must be correct (see diagram above) to refit the rear filter panel assembly.

Maintenance



GENERAL

Filter Pads

Visually check CELdek® pads for damage or blockage. Gently hose down pads from both sides to remove any build up of salts, dust and pollen. In dusty areas more regular cleaning is recommended. Check the water distributor, making sure it is clear and free from blockage. Failure to do so may lead to uneven water distribution and therefore less efficient operation.

Water Tank

It is important to keep the water tank clean and free from sediment and algae growth. Using a small soft bristle brush, brush all surfaces in the tank while it is full of water (DO NOT FORGET THE PUMP STRAINER). Turn off the water inlet to the unit (an isolation valve should be fitted to the water inlet before the float valve or at the water supply faucet). Drain the tank by undoing the external overflow fitting lock nut and removing the overflow fitting. After refilling it may be necessary to repeat this procedure if the tank is very dirty.

Water Distributor

Check the water distribution system for blockage. Check the delivery tube for kinks or holes.

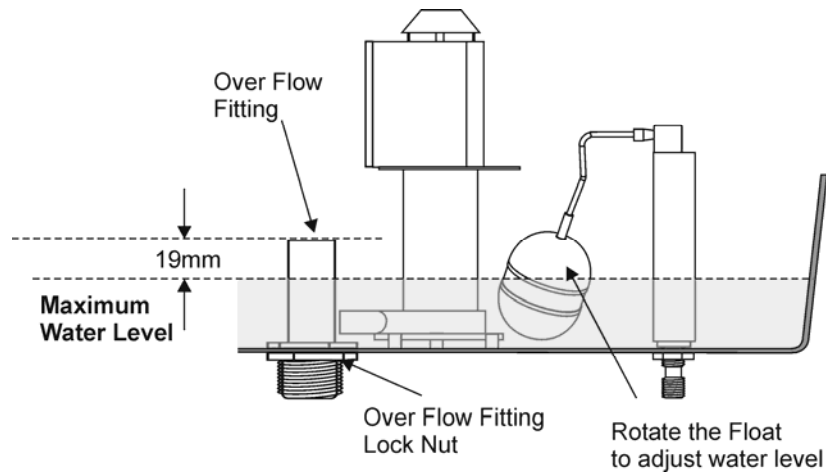
Note: Water supply line to float valve must be flushed before connecting.

Water Level / Float Valve

The water level should be set at nominal 19mm (¾”) below height of stand pipe lip. The float valve is a mechanical type and is factory set. If it requires adjustment screw the float valve ball in or out for the correct settings. If the valve is leaking, it may require replacement.

Note: Water connection line to float valve must be flushed before connecting.

Note: Some discharge from the overflow may be experienced after shut down due to water draining back from the CELdek® filter pads. This is normal.



Motor and Fan

Check that the fan spins freely and that there is no build up on the blades. Check the motor for corrosion and spray with an anti corrosive agent if necessary.

Maintenance



Bleed Off

The bleed off should be checked to ensure it runs continuously and that there is no build up of mineral deposits in or on your cooler. White deposits indicate high mineral content and the bleed off system should be checked. Should the bleed nozzle become blocked, use a fine pin or similar to clear.

If the bleed is running as per normal, the bleed nozzle is clean and the deposits are still forming, then more bleed may be required.

In areas of poor water quality (where total dissolved solids are greater than 300 p.p.m.) increase the diameter of the bleed nipple using a 1.6mm (1/16") drill bit.

Note: Before drilling the bleed nipple remove it from the bleed hose as there may be water accumulated in the water distribution system.

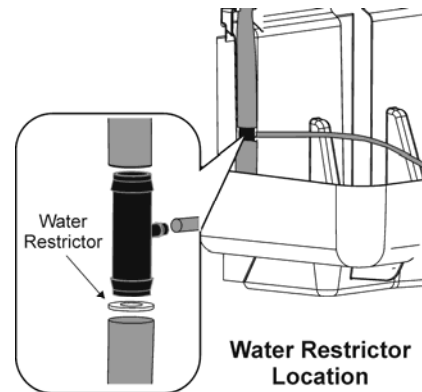
Pump Operation

Check the pump spins freely and that the strainer is clean. Ensure the rubber water slinger is in place on the stainless steel shaft under the motor.

After a long idle period, the pump may stop rotating due to a mineral build up on the stainless shaft adjacent to the motor. To free the pump shaft, remove mineral build up and rotate the shaft using fingers or suitable sized pliers. See diagram.

Spraying the area with suitable water displacement lubricate may assist.

In areas of low voltage, the pump may not provide enough water to wet the filters. To rectify, remove the water restrictor from the pump supply hose adjacent to the bleed off tee piece. See diagram.

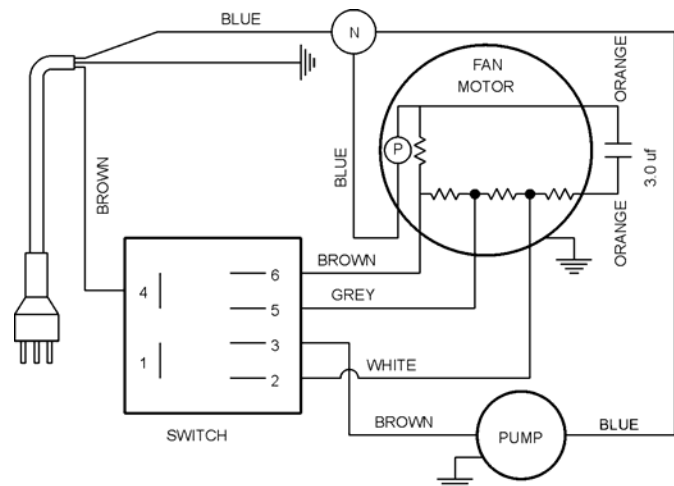


ELECTRICAL



No general maintenance is required to the electrical system.

Electrical connections and maintenance should only be carried out by a qualified electrician.



Maintenance

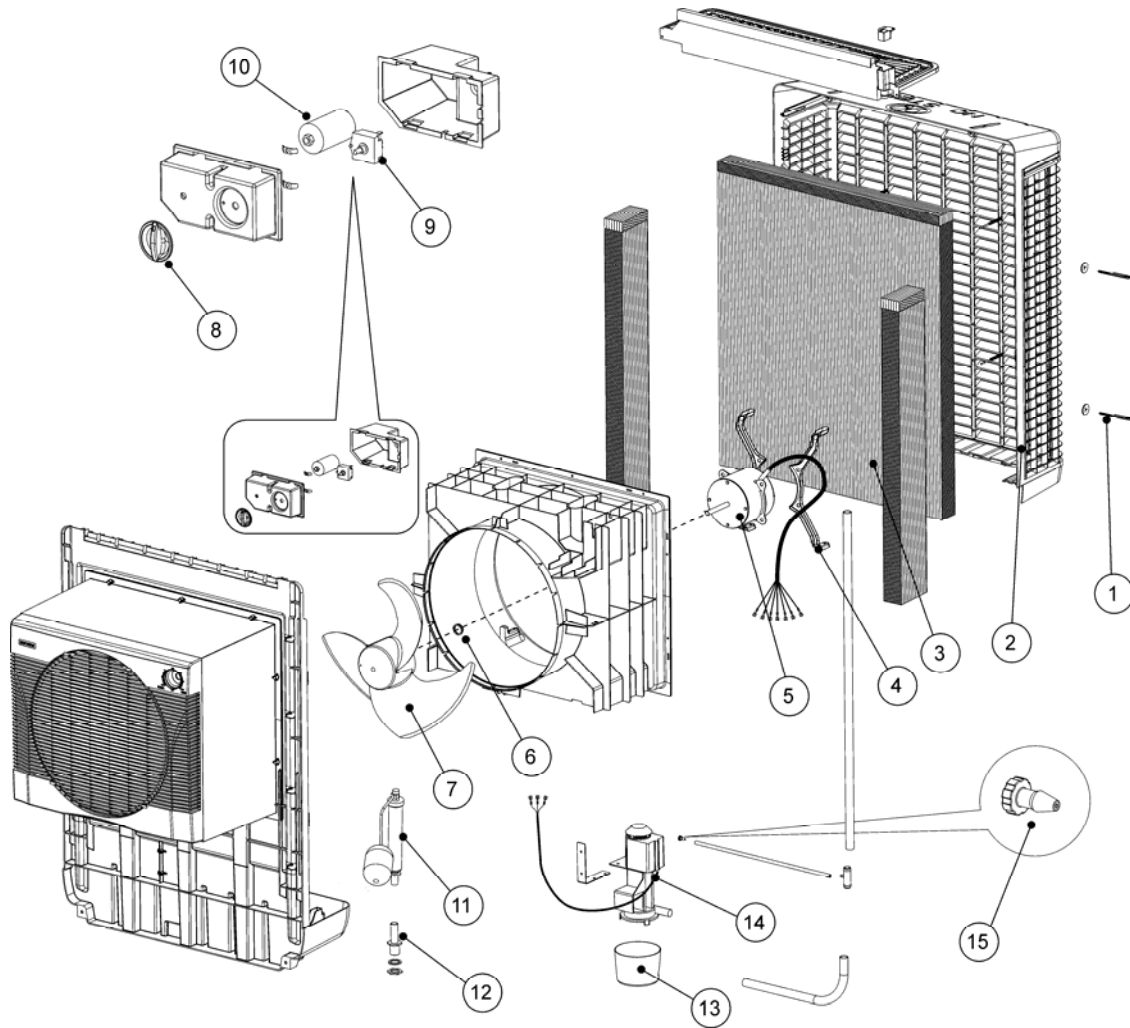


MAINTENANCE PLANNER

			1 st Year	2 nd Year	3 rd Year	4 th Year	5 th Year
PRESEASON CHECK	1.1	Check quality of filters					
	1.2	Check fan & pump					
	1.3	Fill unit with water					
	1.4	Start unit					
	1.5	Check bleed-off system					
FIRST MIDSEASON SERVICE	2.1	Check and clean filters					
	2.2	Drain, clean and refill water tray					
	2.3	Check bleed-off system					
	2.4	Check strainers and filters					
	2.5.	Check unit operates correctly					
SECOND MIDSEASON SERVICE	3.1	Check and clean filters					
	3.2	Drain, clean and refill water tray					
	3.3	Check bleed-off system					
	3.4	Check strainers and filters					
	3.5	Check unit operates correctly					
END OF SEASON SERVICE AND SHUT DOWN	4.1	Turn off water supply					
	4.2	Drain and clean unit					
	4.3	Leave drain plug removed					
	4.4	Check motor and pump and spray with a water displacement lubricant.					

ALL MAINTENANCE CAN ONLY BE PERFORMED BY A QUALIFIED SERVICE PERSON.

Parts List



No	Description	Part Number
1	Filter Retainer Clips	6280134SP
2	Rear Filter Panel Assembly	6280103SP
3	Filter Pad Set	6280116SP
4	Motor Mounting Brackets	6282006SP
5	Motor	6281610SP
6	Fan Retaining Clip	6280804SP
7	Fan	6280806SP
8	Control Knob	6280133SP
9	Switch	6201609SP
10	Capacitor 3.0 μ F	0160183SP
11	Float Valve Assembly	6280920SP
12	Overflow Fitting	6050920SP
	Stand Pipe – 120mm	6280913SP
13	Pump Filter Basket	6050811SP
14	Pump	6280807SP
15	Bleed Nipple	6280803SP

Problem Solving

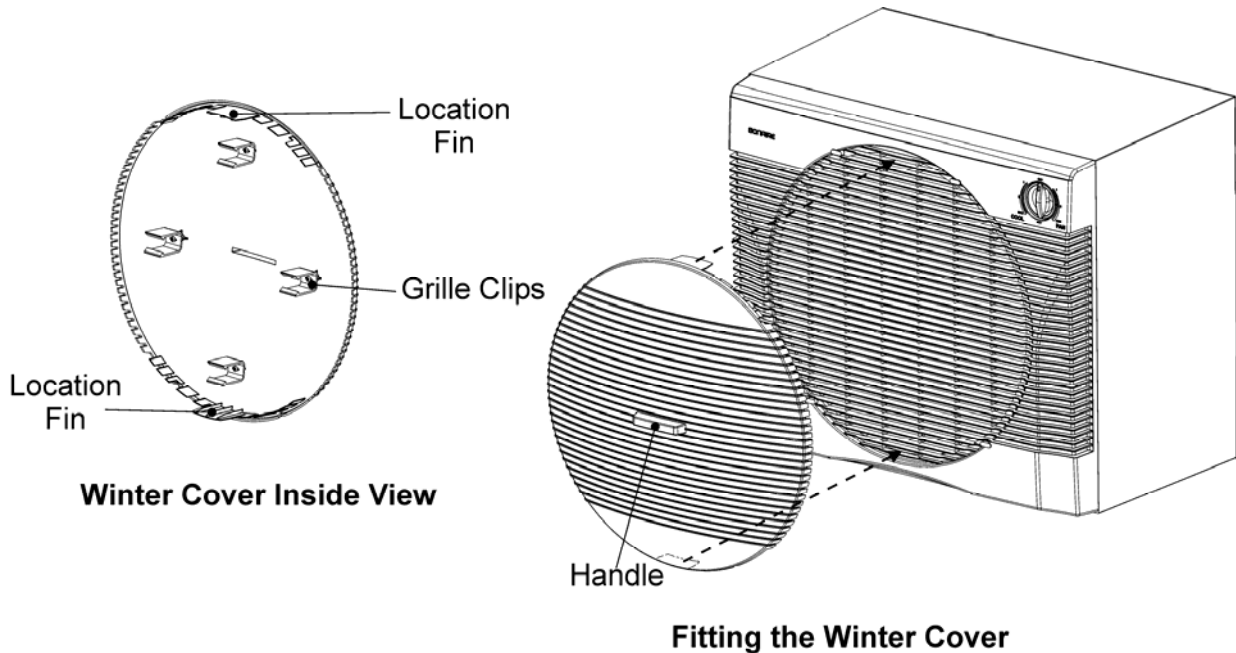


ALL MAINTENANCE CAN ONLY BE PERFORMED BY A QUALIFIED SERVICE PERSON.

PROBLEM	PROBABLE CAUSE	REMEDY
Unit fails to start	<ul style="list-style-type: none"> a Power Failure b Tripped Circuit Breaker c Blown Fuse d Electrical Fault 	<ul style="list-style-type: none"> a Wait for power to be turned on. b Reset circuit breaker c Replace d Climate Technologies Service
Filter Pads not wetting.	<ul style="list-style-type: none"> a Pump Seized b Electrical fault with pump c Low voltage in your area 	<ul style="list-style-type: none"> a Refer to Maintenance page. See Pump section. b Climate Technologies Service c Remove water restrictor at bleed tee. See page 14.
Water leaking from overflow	<ul style="list-style-type: none"> a Float Valve Leaking b Drain from CELdek® Pads 	<ul style="list-style-type: none"> a Check adjustment or replace float valve if necessary b Normal Operation – adjust float level
Water Droplets in air stream	<ul style="list-style-type: none"> a Loose Delivery Tube b Break in tubing c Pump appears to deliver excessive water to pads 	<ul style="list-style-type: none"> a Check and tighten b Replace as necessary c Check the condition of the filter pad. Wash if pad shows heavy build up of minerals
	<ul style="list-style-type: none"> d Bleed nozzle is blocked 	<ul style="list-style-type: none"> d Clean bleed nozzle
Excessive humidity	<ul style="list-style-type: none"> a Not enough air flow b Inadequate Exhaust 	<ul style="list-style-type: none"> a Increase fan speed b Provide more open area to exhaust stale air by opening windows and doors in adjacent rooms.
Inadequate Cooling	<ul style="list-style-type: none"> a Dirty Filters b Dry Filters 	<ul style="list-style-type: none"> a Clean b Check control set on COOL mode. Check water delivery system. Adjust if necessary.
Unpleasant Odour	<ul style="list-style-type: none"> a Unit located near odour source b Algae in water tank 	<ul style="list-style-type: none"> a Remove source b Clean tank and refill with fresh water.
Rapid formation of white deposits on pads	<ul style="list-style-type: none"> High Mineral Content 	<p>Bleed off should be checked to see if bleed nozzle is blocked, clear if necessary and clean CELdek® pad. Increase the bleed rate – see page 14. More regular maintenance may be required.</p>

Optional Extras

Optional Winter Cover Instructions



The optional winter cover has been design to provide you with a simple method to seal the unit from winter draughts.

To **INSTALL** the optional winter cover:

1. Check the lines on the winter cover match the front grille for correct application.
2. Place the lower fin of the winter cover into the gap between the first and second grilles at the bottom of the fan grille.
3. Ensure the grille clips line up with the appropriate grille and push on.

To **REMOVE** the optional winter cover:

1. Simply pull the cover off using the winter cover handle.
2. Store the winter cover for the next winter.

To purchase the optional winter cover please call your nearest Climate Technologies dealer.

Warranty – Australia ONLY



IMPORTANT

Please read this warranty information and complete the Dealers Product information on the following page. KEEP this with your original purchase documents for any claim under warranty.

WARRANTY PROCEDURES:

Firstly refer to your owners manual to ensure you have followed the correct operating procedures of your product, and refer to the trouble shooting guide to assist solving any problems you may have.

1. Read this warranty statement carefully before you request warranty service as items relation to installation are not covered by this appliance warranty.
2. A proof of product purchase must be provided for warranty service, to validate the appliance is within the manufacturer's warranty periods.
3. This warranty is only for products and associated original controls for Climate Technologies manufactured product.
4. Only an authorised Climate Technologies service provider must carry out warranty service.

Climate Technologies provides the following Manufacturers warranty additional to all implied warranties and other statutory rights which you may have under the Trade Practices Act and similar State & Territory Laws, subject to the following terms and conditions.

TERMS AND CONDITIONS:

Conditions to warranty

- Subject to the exclusions noted, Climate Technologies warrant the product for the period as prescribed in the table following this statement to be free from Inherent defects in materials and workmanship for functional and structural components.
- This product is only valid if the product is operated in accordance with the manufacturers instructions
- The appliance must not be modified or changed in any way.
- Your proof of purchase **MUST** be produced before free service will be provided.
- Traveling time and mileage are included within 30km of either your authorised Climate Technologies dealer or service provider's premises. Customers in areas other than the above are responsible for any traveling time and mileage required to carry out warranty repairs.
- The product must be installed by a qualified person in the manner prescribed by local & statutory regulations and to the manufacturer's specifications.
- Service within the terms of this warranty will be recognised where we are satisfied that the appliance or part was supplied within the relevant time limits. Documents of purchase and Dealer/Installer information will assist in this process.
- Product fitness for purpose and overall system design / sizing is solely the responsibility of the dealer / installer. This includes but is not limited to heat load calculations, air flow, system balancing, humidity, water quality etc.
- The product must be installed in an easily and safe accessible area for service, appliances installed in areas not easily and safely assessable, costs will be borne by the owner for access equipment should maintenance be required.

Warranty – Australia ONLY

DIY (Do It Yourself) installation Warranty

- If the product has been installed as a DIY, a supply part only warranty will apply. Parts only will be supplied free of charge on the return of the faulty part and the owner will be responsible for all labour charges incurred for the part to be fitted by a qualified person. Labour warranty as prescribed in the following table is void in this situation.

Remote Location Warranty

- If the product has been installed outside the Climate Technologies service network, a supply part only warranty will apply. Parts only will be supplied free of charge on the return of the faulty part and the owner will be responsible for all labour charges incurred for the part to be fitted by a qualified person. Labour warranty as prescribed in the following table is void in this situation.

Exclusions to warranty.

- Consumable items subject to wear and tear such as filter pads, drive belts and bearings are not covered by this warranty.
- Components used as part of the installation such as grilles filters, ducting, fittings, zone motors and consumer services pipe work are warranted from your place of purchase and not covered by this warranty.
- Damage caused by elements such as wind, rain, lightning, floods etc along with power spiking and brownouts are not considered defective material or workmanship and as such are not considered warranty.
- No responsibility will be accepted for outside elements such as pests, animals, pets and vermin that may cause damage to the unit.
- Harsh environmental situations such as salt air that may cause cabinet damage / rusting can not be considered warranty.
- The manufacturer does not accept liability or any claims for damage to building contents, carpet, walls, ceilings, foundations or any other consequential loss either direct or indirect. Damage resulting from, power spikes, incorrect operation, incorrect installation, incorrect maintenance is also not covered.
- All warranties are NOT transferable.

Conditions where warranty may be void.

- If there is no certificate of compliance for plumbing, electrical or refrigeration as required by State & Territory Laws. Climate Technologies reserves the right to refuse service on non-compliant installations.
- The defective operation of the appliance that is due to failure of electricity, gas, water or refrigerant gas supplied.
- Defects are caused by neglect, incorrect application, abuse or by accidental damage of the appliance.
- An unauthorized person has attempting to repair the appliance.
- A situation arises referenced in the trouble-shooting guide.
- A charge will be made for, work done or a service call where there is nothing wrong with the appliance.

Warranty – Australia ONLY
PERIODS OF WARRANTY – YEARS BY PRODUCT AND APPLICATION:
DURANGO WINDOW COOLER

Unit Components	RESIDENTIAL		COMMERCIAL	
	Part	Labour	Part	Labour
**All Components	2	2	1	1

** Filter pads are a consumable item and therefore are not covered by the above warranty periods

AGED NEW PRODUCT WARRANTIES

For a New Product warranty to apply, a product needs to be sold and installed within 3 years of the manufacturing date.

Product that is aged as the result of extended storage or being used for demonstration purposes, the following warranty will apply.

- For a product that is greater than 3 years and less than 5 years old from date of manufacture the statutory warranty will apply and any voluntary warranty originally supplied will be reduced by 1 year
- For a product that is greater than 5 years of age from date of manufacture, the statutory warranty will apply to electrically functioning components only. All other components being cabinets, louvres, filters etc. will not be covered by warranty.



Warranty – Australia ONLY

PROOF OF PURCHASE:

It is important that the name of the Dealer or Retailer from whom you purchased your product and the name of the installer are recorded on this page. The installer is responsible for the correct installation, start up and demonstrating the operation of this product. The Dealer or retailer is also responsible for issuing the relevant certificates of compliance for the electrical connections. (These may differ from state to state)

Please attach your proof of purchase here. Your receipt is your warranty and will be required to validate any warranty.

DEALER PRODUCT INFORMATION:

Dealer/Retailer:	
Dealer Address:	
Dealer Phone Number:	
Unit Model Number:	
Serial No:	
Date Installed:	
Installed by:	
Date Commissioned:	
Commissioned by:	Signature:

Warranty – Australia ONLY



WARRANTY ON REPLACEMENT PARTS:

Parts replaced under warranty are warranted for the balance of the original warranty period.

SERVICE CENTRES:

Only qualified service personnel should conduct any service work carried out on your air conditioning system. It is important that periodical service is carried out on your product to ensure you will receive the efficiency benefits the product provides.

For Metro Service only ring the numbers below.

South Australia/ Northern Territory	(08) 8307 5230
New South Wales / Australian Capital Territory	(03) 8795 2457
Western Australia	(08) 9454 1000
Victoria/Tasmania	(03) 8795 2456
Queensland	(03) 8795 2457

Outside Metro areas please contact your nearest Climate Technologies Service Provider.



“Excelling today for a better tomorrow”

Manufactured by
Climate Technologies Pty Ltd
ABN 13 001 418 042

26 Nylex Avenue
Salisbury, SA 5108
AUSTRALIA

www.climatetechnologies.com